



Beverage Dispensing System Chilled Juice Dispenser with UK plug

ITEM # _____

MODEL # _____

NAME # _____

SIS # _____

AIA # _____



560057 (FJUICEUK)

Chilled Juice Dispenser with 4-flavor dispensers or 3-flavor and 1 Water Dispenser (3 l capacity each), R134a - UK plug

Short Form Specification

Item No. _____

Dispense chilled beverages produced starting from concentrate juice. Pressure-sealed insulated tank assures that the juice temperature doesn't change even in case of continuous dispense. Water level in the tank is automatically restores after every dispense. It can be used both with glass or jug. Pre-set dose or push control dispensing can be settled. Delivered with UK plug.

Main Features

- Dispense chilled beverages produced starting from concentrate juice.
- Pressure-sealed insulated tank assures that the juice temperature doesn't change even in case of continuous dispense.
- Water level in the tank is automatically restored after every dispense.
- It can be used both with glass or jug.
- Pre-set dose or push control dispensing can be settled.

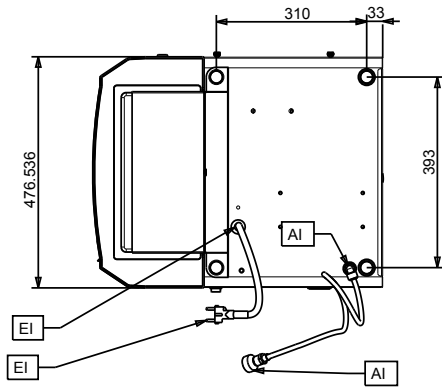
Construction

- The unit is provided with 3/4 inch connection pipe for water inlet.

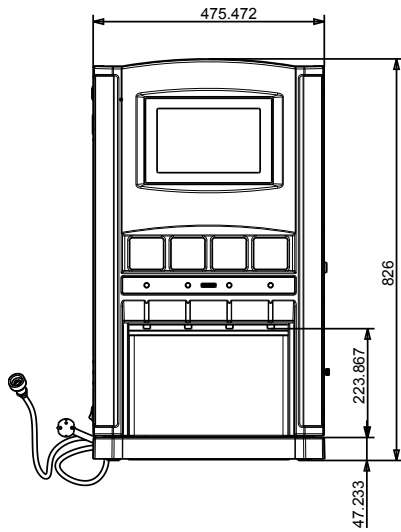
APPROVAL: _____



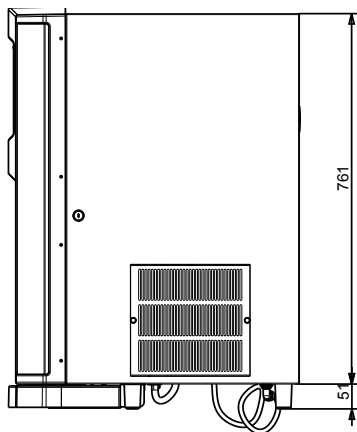
Other



Front



Side



Electric

Supply voltage: 220-230 V/1 ph/50/60 Hz
Electrical power max.: 0.5 kW

Key Information:

Net weight: 50 kg

Sustainability

Refrigerant type: R134a
Refrigerant weight: 100 g